

7 Inch Screen with a vertical configuration

DRAWING NO.:	REV. NO.:	SIZE:	DRAWN BY:
A-0100-AB	0	A3	Paul
SCALE:	TOLERANCES:	REVIEWED BY:	
1/2	DS/ISO 2768-f		

MATERIAL DESCRIPTION:
Aluminium, Acrylic, Electronics

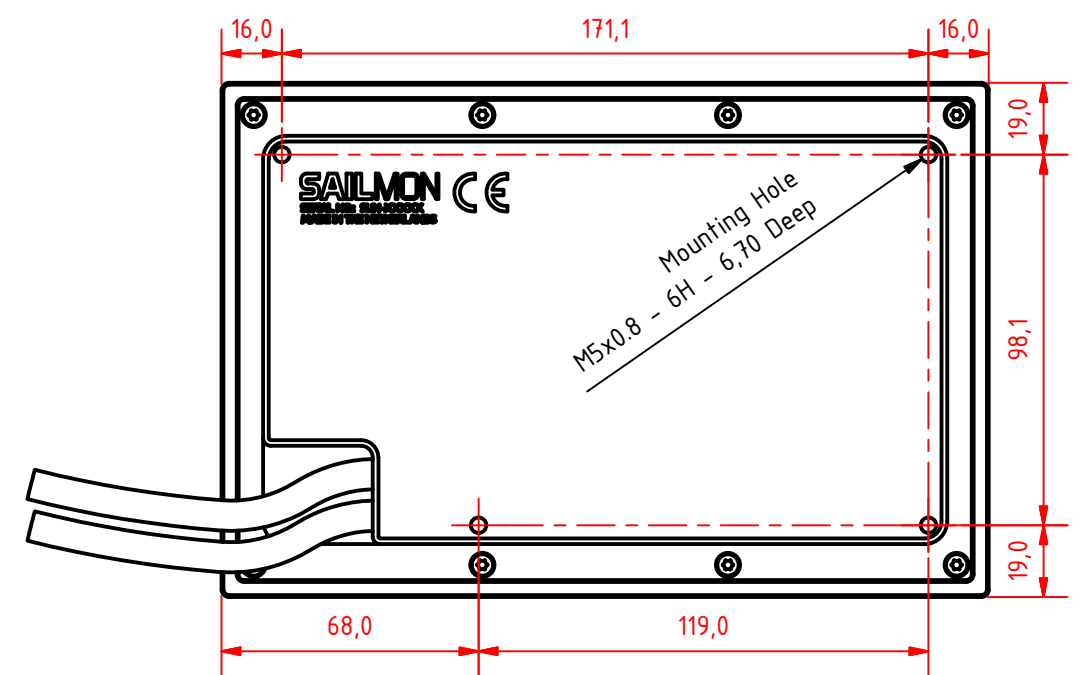
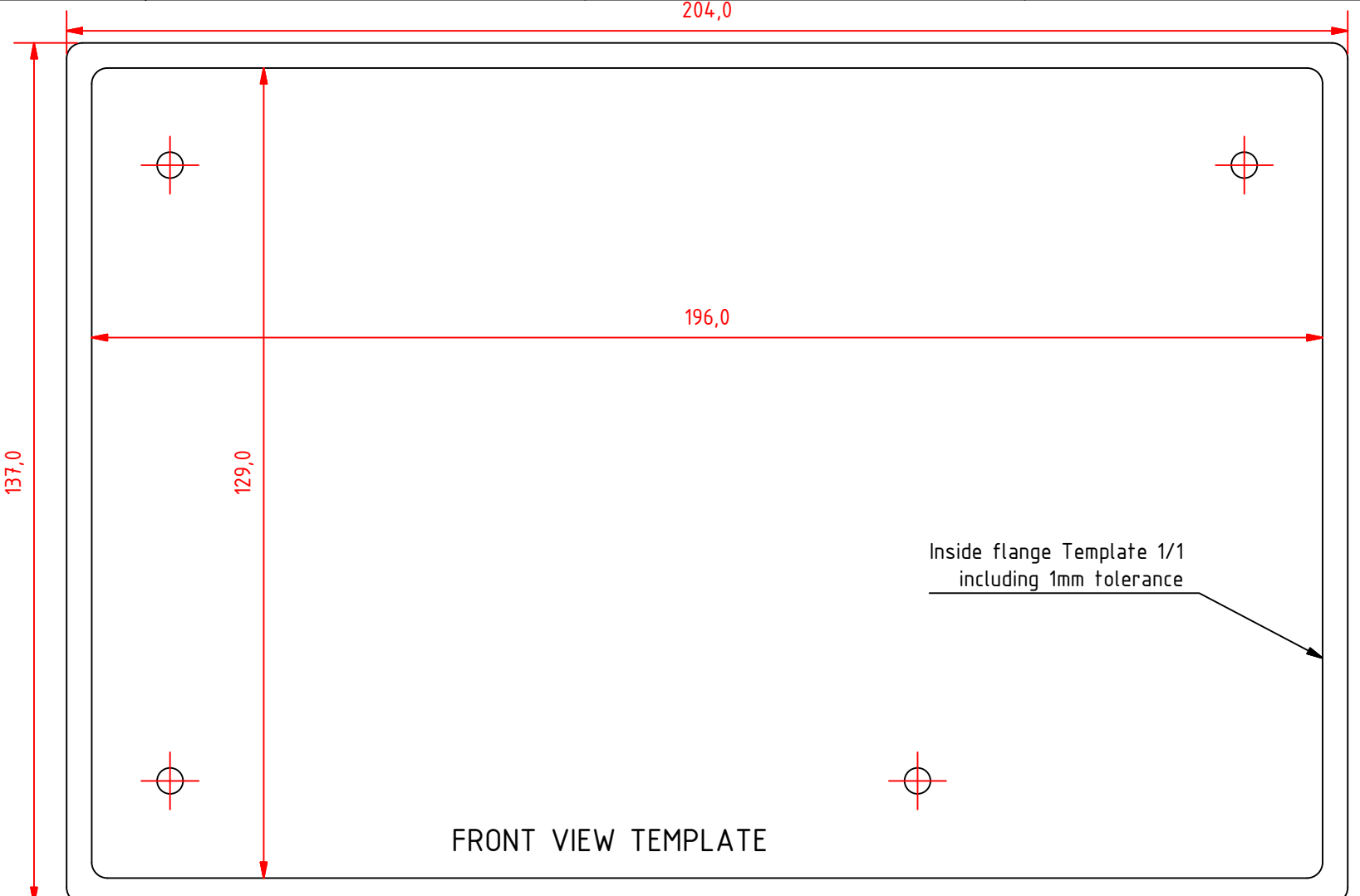
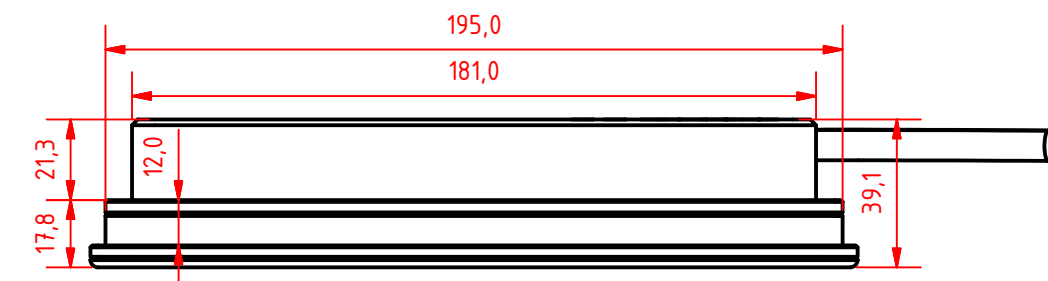
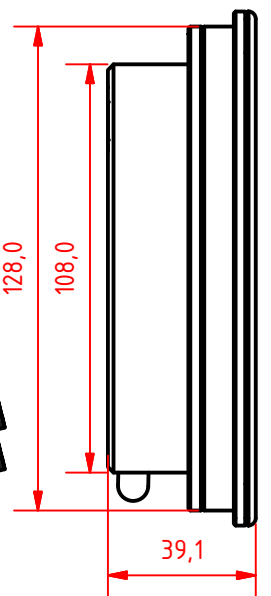
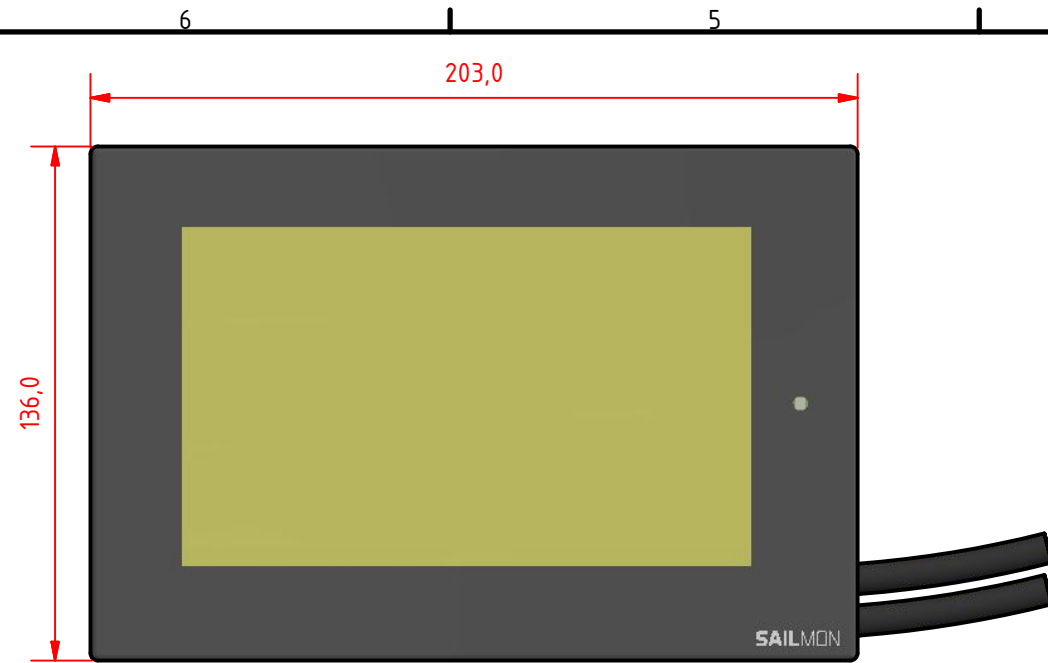
This Drawing, and the information within, is the property of Coh & Co ApS and may not be used in any form without express permission there from. Coh & Co reserve the right to change this drawing and assumes no liability for the information communicated herein. Use of dimensions and other information in this drawing is at the users own risk.

SAILMON

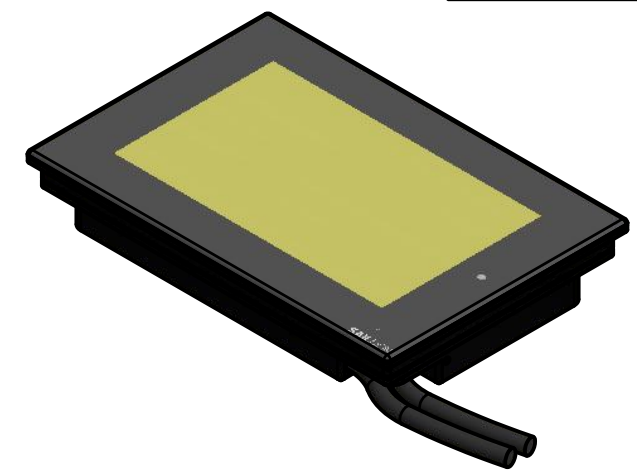
SAILMON BV
Hellingweg 9B
2583 DZ, Scheveningen
(+31) 20 260 0106
info@sailmon.com

Designed and made for Sailmon BV by Coh&Co
Copenhagen ApS
www.cohandco.com

50MM AT A3



Outside flange Template 1/1 including 1mm tolerance o make it slightly oversized.



7 Inch Screen with a horizontal configuration

DRAWING NO.: A-0100-BB	REV. NO.: 0	SIZE: A3	DRAWN BY: Paul
SCALE: 1/2	TOLERANCES: DS/ISO 2768-f	REVIEWED BY:	

MATERIAL DESCRIPTION:
Aluminium, Acrylic, Electronics

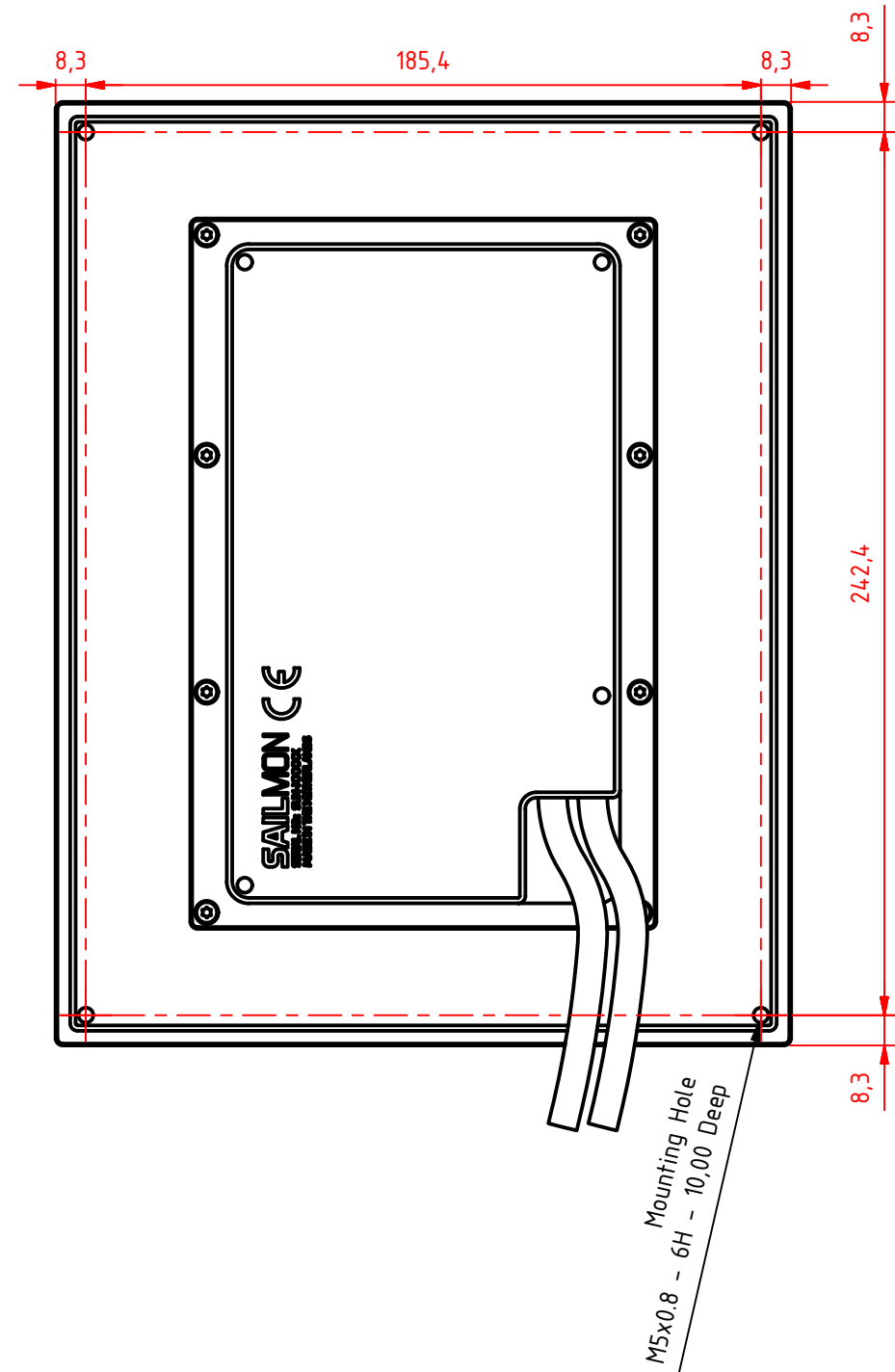
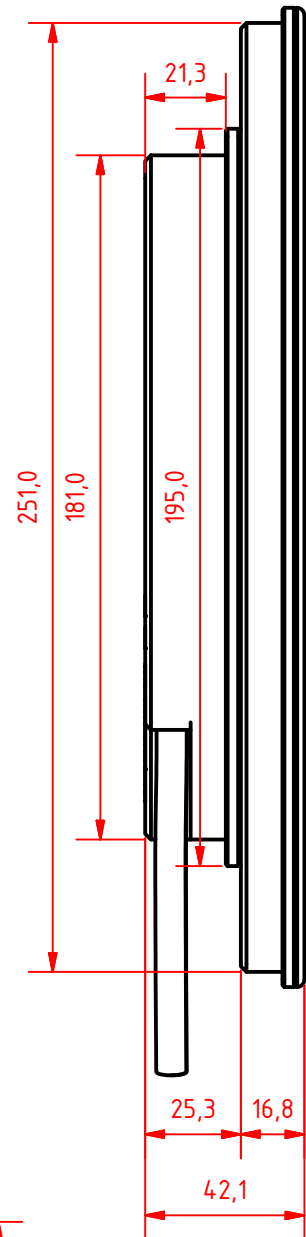
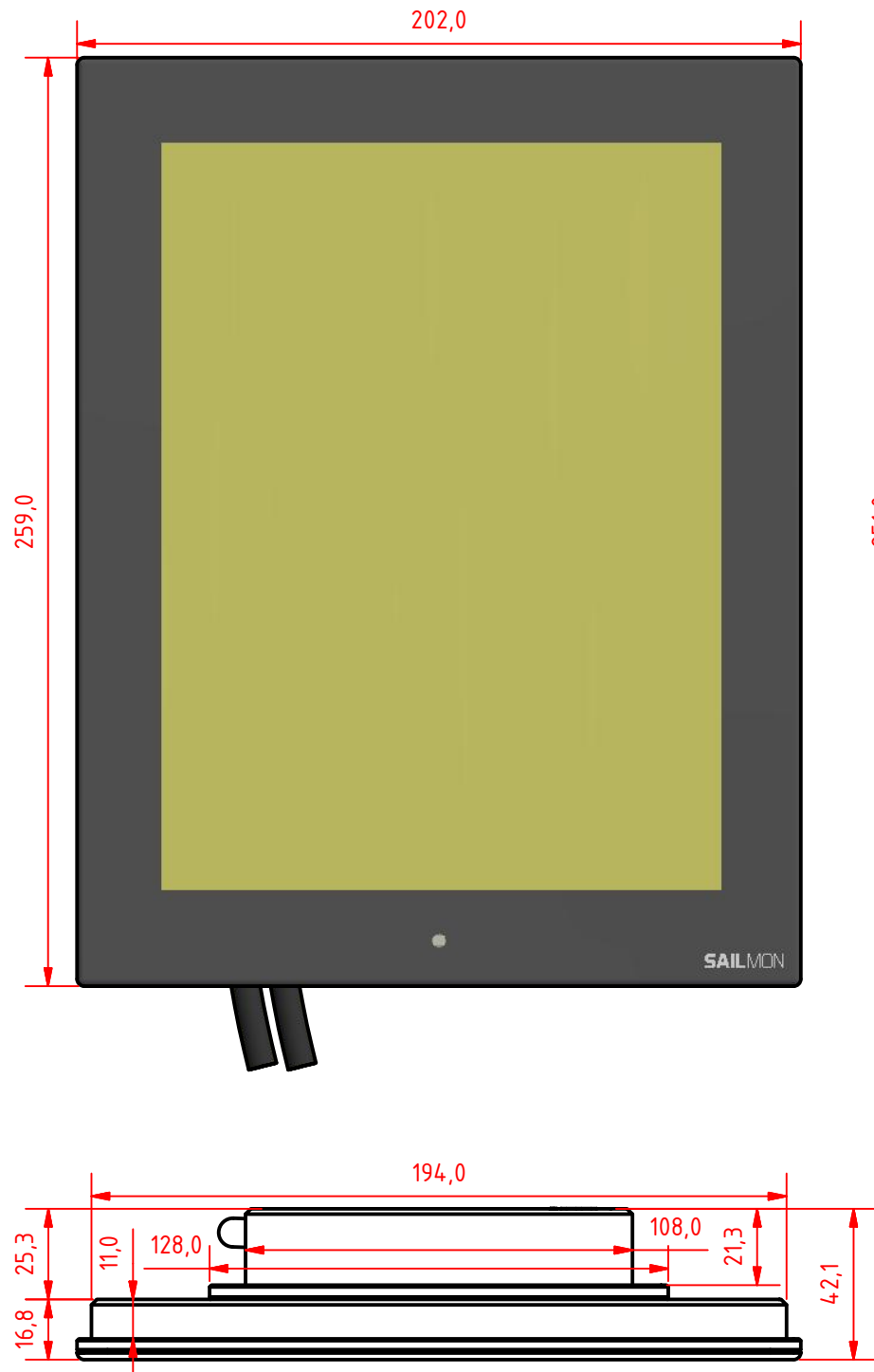
This Drawing, and the information within, is the property of Coh & Co ApS and may not be used in any form without express permission there from. Coh & Co reserve the right to change this drawing and assumes no liability for the information communicated herein. Use of dimensions and other information in this drawing is at the users own risk.

SAILMON

SAILMON BV
Hellingweg 9B
2583 DZ, Scheveningen
(+31) 20 260 0106
info@sailmon.com

Designed and made for Sailmon BV by Coh&Co
Copenhagen ApS
www.cohandco.com

50MM AT A3



10 Inch Screen with a vertical configuration

DRAWING NO.: A-0100-CC	REV. NO.: 0	SIZE: A3	DRAWN BY: Paul
SCALE: 1/2	TOLERANCES: DS/ISO 2768-f	REVIEWED BY:	

MATERIAL DESCRIPTION:
Aluminium, Acrylic, Electronics

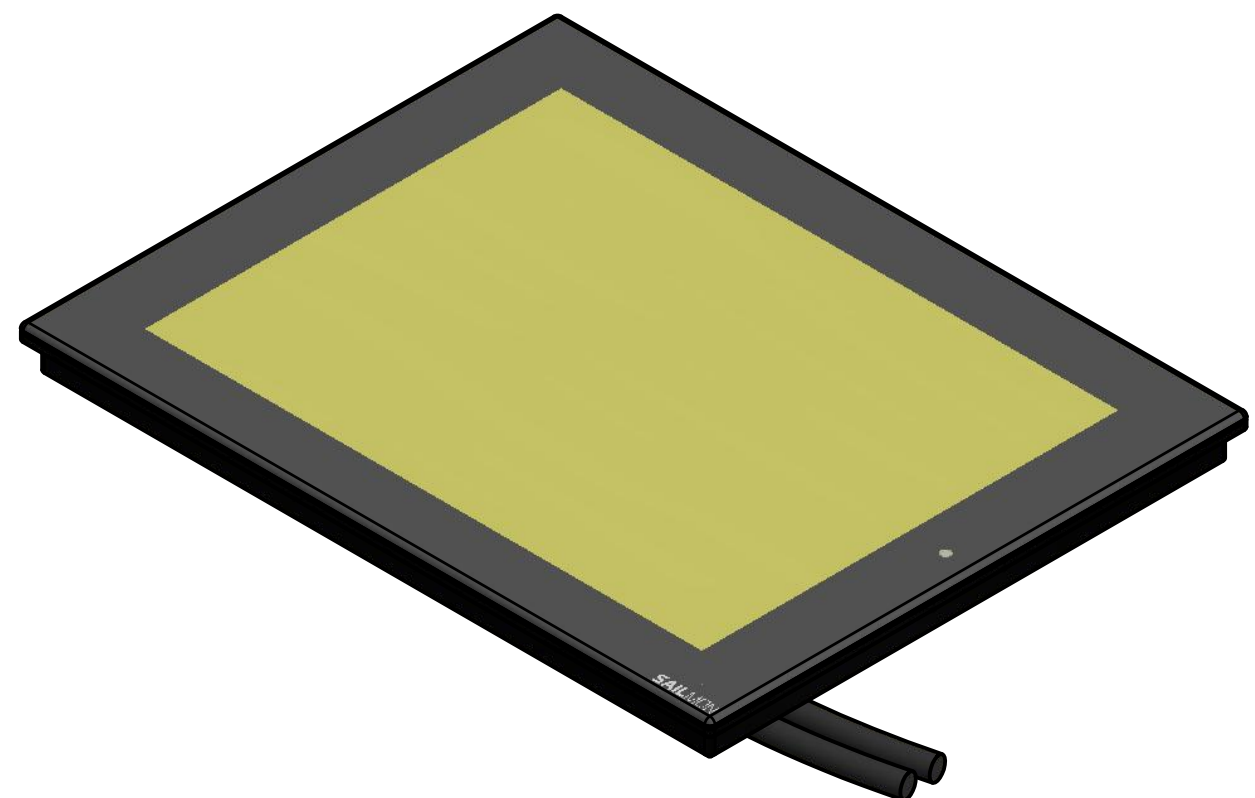
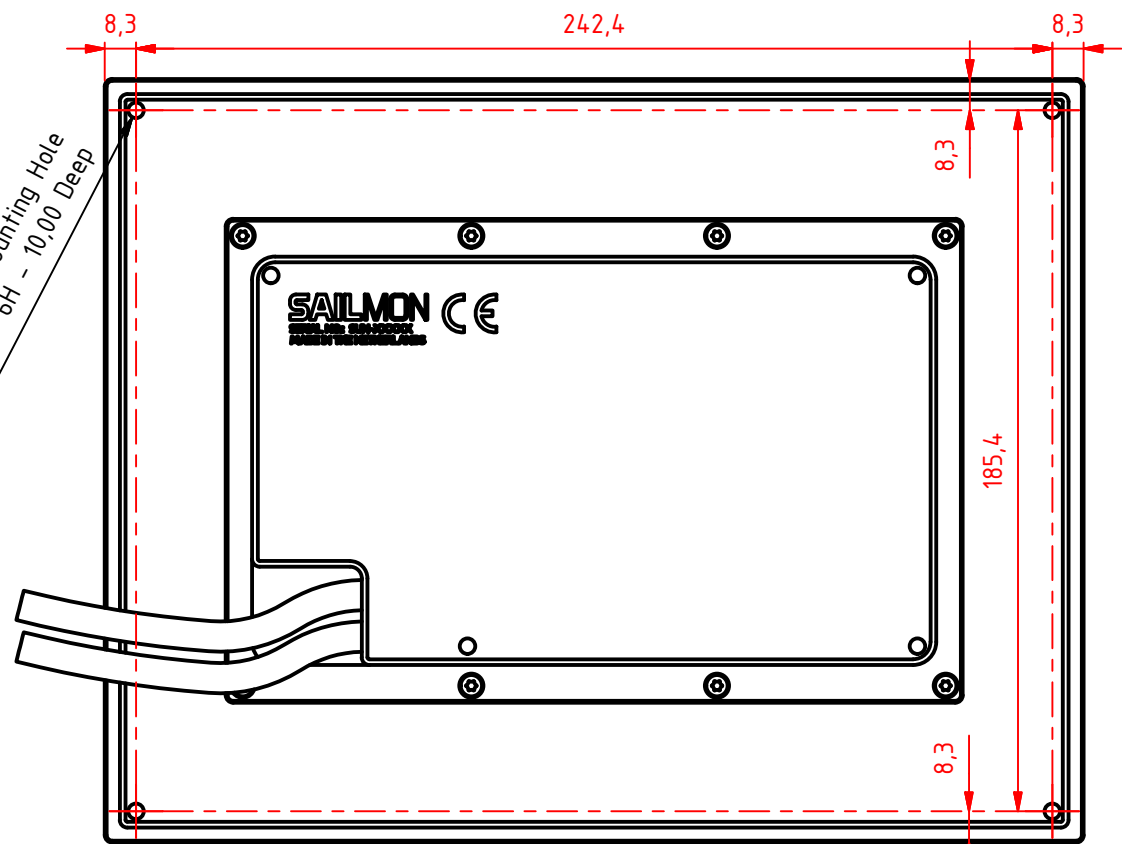
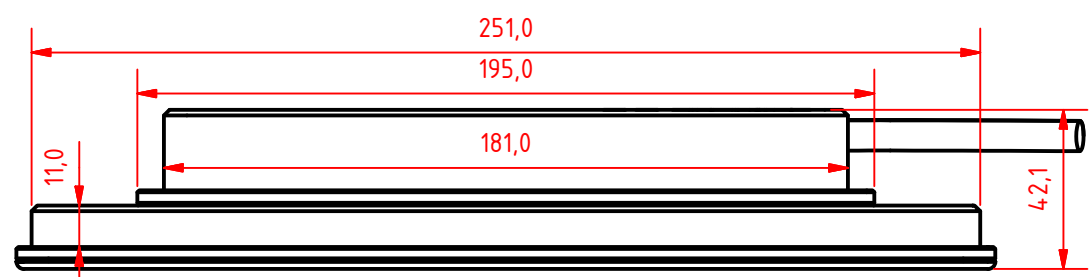
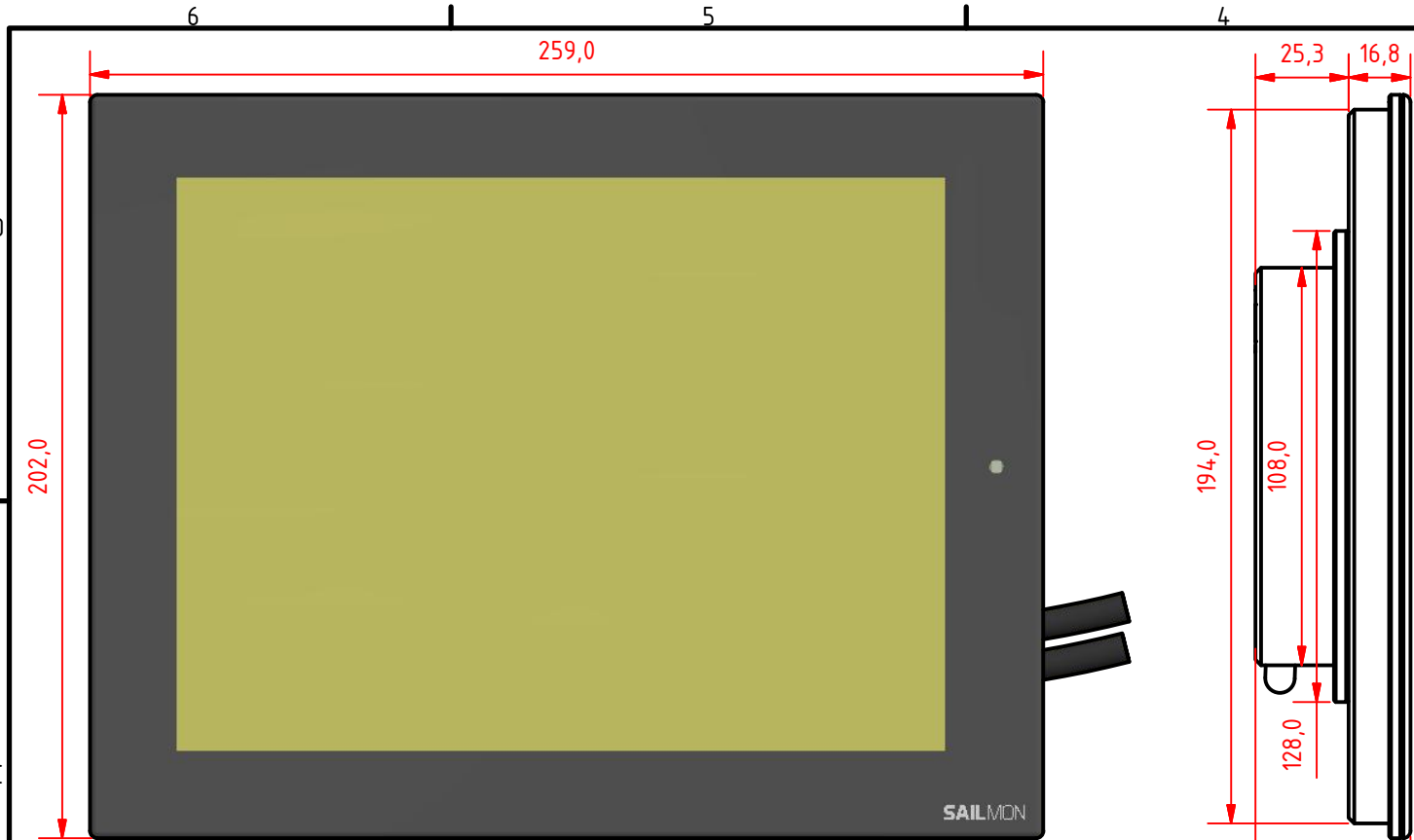
This Drawing, and the information within, is the property of Coh & Co ApS and may not be used in any form without express permission there from. Coh & Co reserve the right to change this drawing and assumes no liability for the information communicated herein. Use of dimensions and other information in this drawing is at the users own risk.

SAILMON

SAILMON BV
Hellingweg 9B
2583 DZ, Scheveningen
(+31) 20 260 0106
info@sailmon.com

Designed and made for Sailmon BV by Coh&Co
Copenhagen ApS
www.cohandco.com

50MM AT A3



10 Inch Screen with a horizontal configuration

DRAWING NO.: A-0100-DB	REV. NO.: 0	SIZE: A3	DRAWN BY: Paul
SCALE: 1/2	TOLERANCES: DS/ISO 2768-f	REVIEWED BY:	

MATERIAL DESCRIPTION:
Aluminium, Acrylic, Electronics

This Drawing, and the information within, is the property of Coh & Co ApS and may not be used in any form without express permission there from. Coh & Co reserve the right to change this drawing and assumes no liability for the information communicated herein. Use of dimensions and other information in this drawing is at the users own risk.

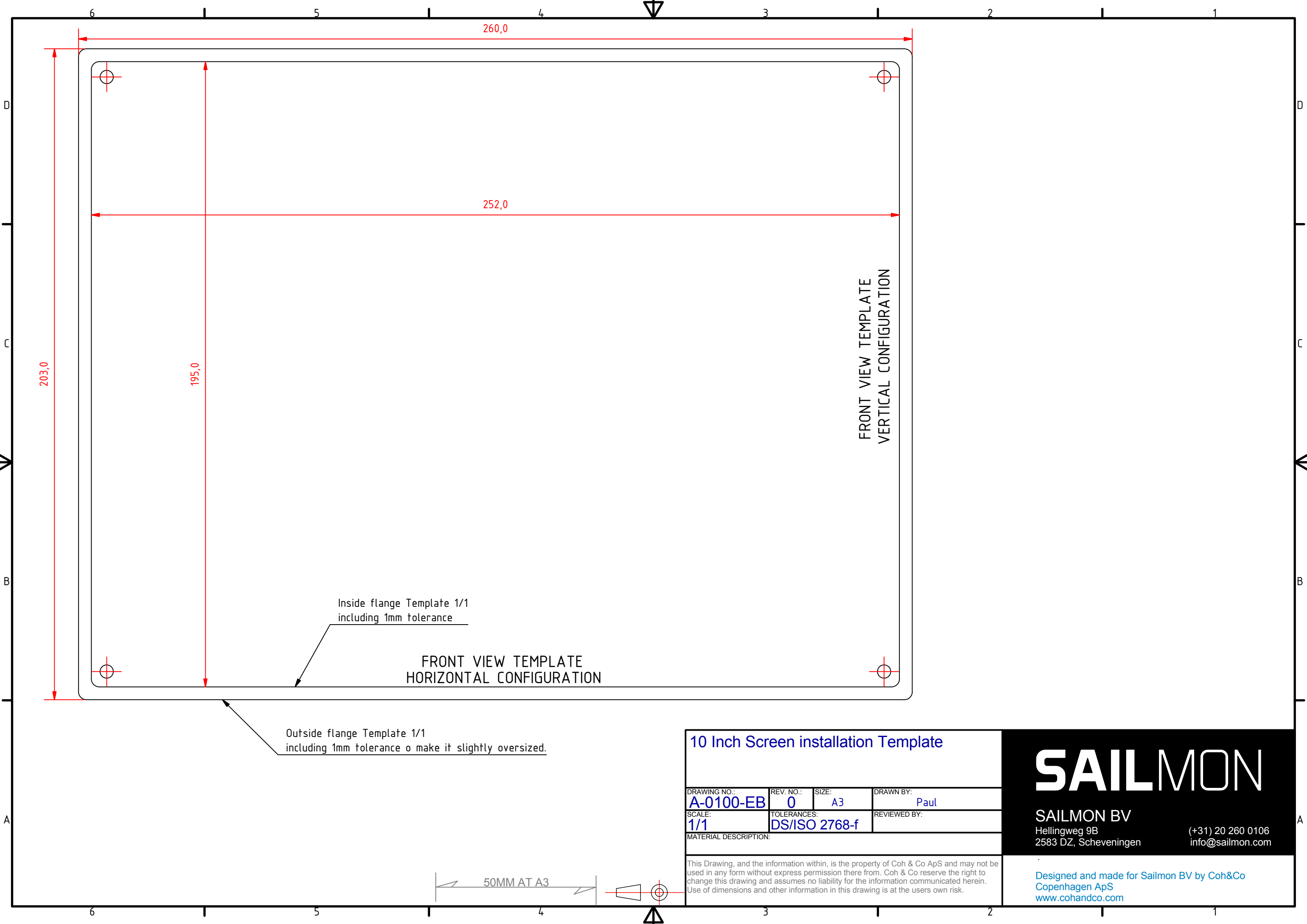
SAILMON

SAILMON BV
Hellingweg 9B
2583 DZ, Scheveningen

(+31) 20 260 0106
info@sailmon.com

Designed and made for Sailmon BV by Coh&Co
Copenhagen ApS
www.cohandco.com

50MM AT A3



FRONT VIEW TEMPLATE
HORIZONTAL CONFIGURATION

FRONT VIEW TEMPLATE
VERTICAL CONFIGURATION

Inside flange Template 1/1
including 1mm tolerance

Outside flange Template 1/1
including 1mm tolerance o make it slightly oversized.

10 Inch Screen installation Template

DRAWING NO.:	REV. NO.:	SIZE:	DRAWN BY:
A-0100-EB	0	A3	Paul
SCALE:	TOLERANCES:	REVIEWED BY:	
1/1	DS/ISO 2768-f		

MATERIAL DESCRIPTION:

This Drawing, and the information within, is the property of Coh & Co ApS and may not be used in any form without express permission there from. Coh & Co reserve the right to change this drawing and assumes no liability for the information communicated herein. Use of dimensions and other information in this drawing is at the users own risk.

50MM AT A3

SAILMON

SAILMON BV
Hellingweg 9B
2583 DZ, Scheveningen

(+31) 20 260 0106
info@sailmon.com

Designed and made for Sailmon BV by Coh&Co
Copenhagen ApS
www.cohandco.com